

Model 6 Series, Shaft output and Spindle output drives----technical specification

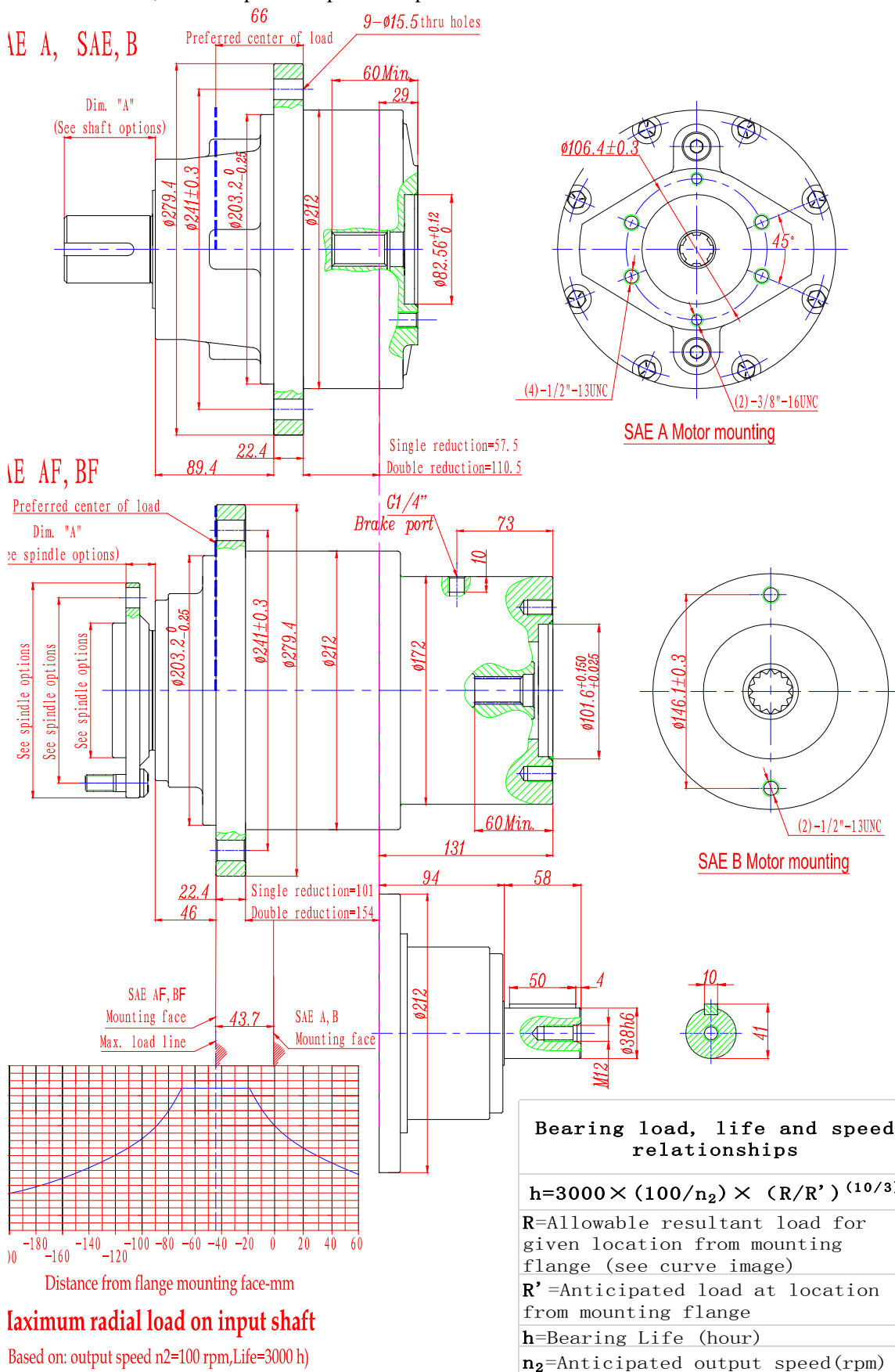
output torque (N.m)		Ratio (i)		Recommend Hydraulic Motor pilot/hubs and input spline	Max. input speed (rpm)	Brake torque (N.m)	Brake work pressure (bar)
normal	Max. Intermittent						
3400	7000	3.81, 4.47, 5.53	Single reduction	SAE A, B motor pilot/hubs 13T - 16/32 Spline 15T - 16/32 Spline 1" - 6B Spline 14T - 12/24 Spline	3500	440	22-50
		13.44, 16.91	Double reduction			330	27-50
		21.05, 24.71				260	22-50
		28.50, 35.31				160	17-50

- Input-Output rotate same direction.
- Other ratio and other input type can special design.

FEATURE CHART: MODEL 6 SERIES, SHAFT OUTPUT and SPINDLE OUTPUT DRIVES, SINGLE REDUCTION									
OPTIONS	DESCRIPTION	ORDER NUMBER	USE OPTION ORDER CODES TO BUILD ORDER NUMBER						
MODEL SERIES	MODEL 6	6T	6T						
MOTOR PILOT/HUBS	SAE A SAE AF SAE B SAE BF	A AF B BF		AF					
MOTOR INPUT SPLINE <i>INPUT SHAFT OPTIONS</i>	13T - 16/32 1" - 6B 14T - 12/24 15T - 16/32 <i>1-1/2" Keyed</i>	13 6B 14 15 <i>K00</i>			K00				
RATIO OPTIONS	3.81, 4.47, 5.53	03, 04, 05				04			
OUTPUT SHAFT <i>OUTPUT SPINDLE OPTIONS</i>	1-3/4 J501 Taper 17T-12/24 Spline 23T-12/24 Spline 23T-12/24 Short 1.75 Keyed 2.00 Keyed 2.00 Hollow 1.75 Hollow 2.00 Keyed 2.00 Round 2.56 Round 2.00 Hex <i>F1, F2, F3, F3, F4, F5</i>	T1 17 23 23S K1 K2 K3 K4 K5 A1 A2 H1 <i>F1, F2, F3, F3, F4, F5</i>					K4		
BRAKE	160N.m 260N.m 330N.m 440N.m Without Brake	B4D B4F B4H B4L W0						W0	
WHEEL STUDS (Only for output spindle)	1/2"×1.62 9/16"×2.75 NONE	4 7 0							0
Example of complete order code:			6T	AF	K00	04	K4	W0	0

FEATURE CHART: MODEL 6 SERIES, SHAFT OUTPUT and SPINDLE OUTPUT DRIVES, DOUBLE REDUCTION									
OPTIONS	DESCRIPTION	ORDER NUMBER	USE OPTION ORDER CODES TO BUILD ORDER NUMBER						
MODEL SERIES	MODEL 6	6S	6S						
MOTOR PILOT/HUBS	SAE A SAE AF SAE B SAE BF SAE C	A AF B BF C		B					
MOTOR INPUT SPLINE <i>INPUT SHAFT OPTIONS</i>	13T - 16/32 1" - 6B 14T - 12/24 15T - 16/32 <i>1-1/2" Keyed</i>	13 6B 14 15 <i>K00</i>			13				
RATIO OPTIONS	13.44, 16.97 21.53, 24.71 28.50, 35.31	13, 16 21, 24 28, 35				24			
OUTPUT SHAFT OPTIONS <i>OUTPUT SPINDLE OPTIONS</i>	1-3/4 J501 Taper 17T-12/24 Spline 23T-12/24 Spline 23T-12/24 Short 23T-8/16 Spline 1.75 Keyed 2.00 Keyed 3.00 Keyed 2.00 Hollow 1.75 Hollow 2.00 Keyed 2.00 Round 2.56 Round 2.00 Hex <i>F1, F2, F3, F3, F4, F5</i>	T1 17 23 23S 23L K1 K2 K2B K3 K4 K5 A1 A2 H1 <i>F1, F2, F3, F3, F4, F5</i>					K5		
BRAKE	160N. m 260N. m 330N. m 440N. m Without Brake	B4D B4F B4H B4L W0						B4L	
WHEEL STUDS (Only for output spindle)	1/2" x 1.62 9/16" x 2.75 NONE	4 7 0							0
Example of complete order code:			6S	B	13	24	K5	B4L	0

Model 6 Series, Shaft output and Spindle output drives---dimensions



Model 6 Series, Shaft output drives----technical specification (Style “F” and “R”)

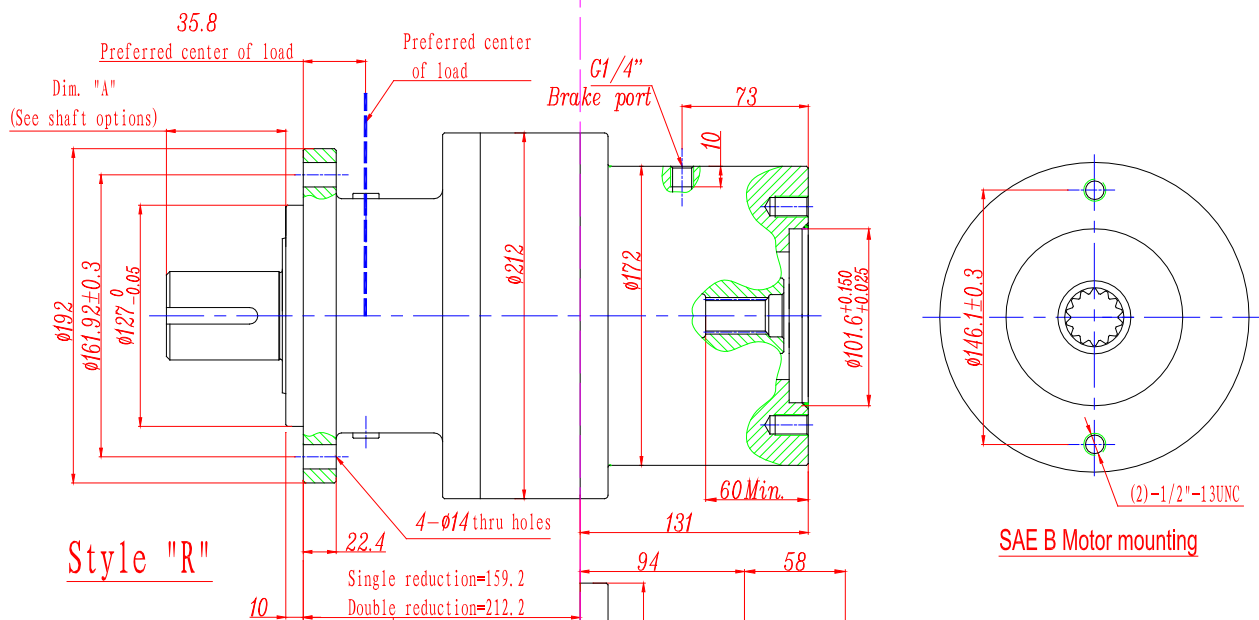
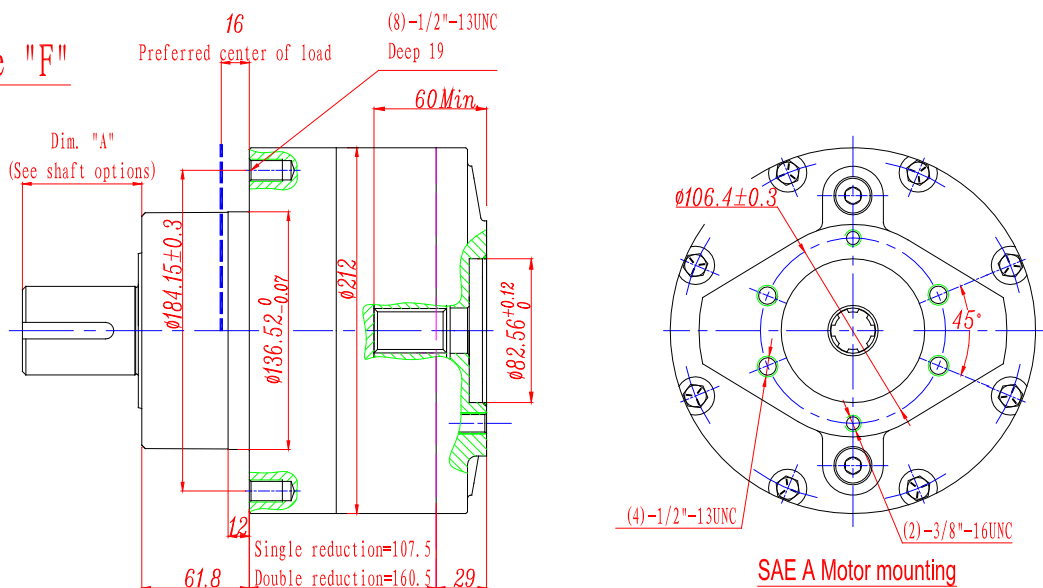
output torque (N.m)		Ratio (i)		Recommend Hydraulic Motor pilot/hubs and input spline	Max. input speed (rpm)	Brake torque (N.m)	Brake work pressure (bar)
normal	Max. Intermittent						
3400	7000	3.81, 4.47, 5.53	Single reduction	SAE A, B motor pilot/hubs 13T - 16/32 Spline 15T - 16/32 Spline 1" - 6B Spline 14T - 12/24 Spline	3500	440	22-50
		13.44, 16.91	Double reduction			330	27-50
		21.05, 24.71				260	22-50
		28.50, 35.31				160	17-50

- Input-Output rotate same direction.
- Other ratio and other input type can special design.

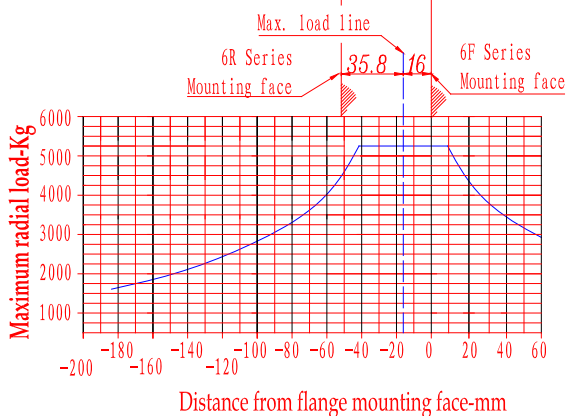
FEATURE CHART: MODEL 6 SERIES, SHAFT OUTPUT DRIVES, SINGLE and DOUBLE REDUCTION (Style “F” and “R”)								
OPTIONS	DESCRIPTION	ORDER NUMBER	USE OPTION ORDER CODES TO BUILD ORDER NUMBER					
MODEL SERIES	MODEL 6	6F 6R	6F					
MOTOR PILOT/HUBS <i>INPUT SHAFT OPTIONS</i>	SAE A SAE B <i>1-1/2" Keyed</i>	A B <i>KO</i>		A				
MOTOR INPUT SPLINE <i>INPUT SHAFT OPTIONS</i>	13T - 16/32 1" - 6B 14T - 12/24 15T - 16/32 <i>INPUT SHAFT OPTIONS</i>	13 6B 14 15 <i>O</i>			13			
RATIO OPTIONS	3.81, 4.47, 5.53 13.44, 16.97, 21.53 24.71, 28.50, 35.31	03, 04, 05 13, 16, 21 24, 28, 35				04		
OUTPUT SHAFT OPTIONS	1-3/4 J501 Taper 17T-12/24 Spline 23T-12/24 Spline 23T-12/24 Short 1.75 Keyed 2.00 Keyed 2.00 Hollow 1.75 Hollow 2.00 Keyed 2.00 Round 2.56 Round 2.00 Hex	T1 17 23 23S K1 K2 K3 K4 K5 A1 A2 H1					K4	
BRAKE	160N.m 260N.m 330N.m 440N.m Without Brake	B4D B4F B4H B4L WO					WO	
Example of complete order code:			6F	A	13	04	K4	WO

Model 6 Series, Shaft output drives---dimensions (Style "F" and "R")

Style "F"



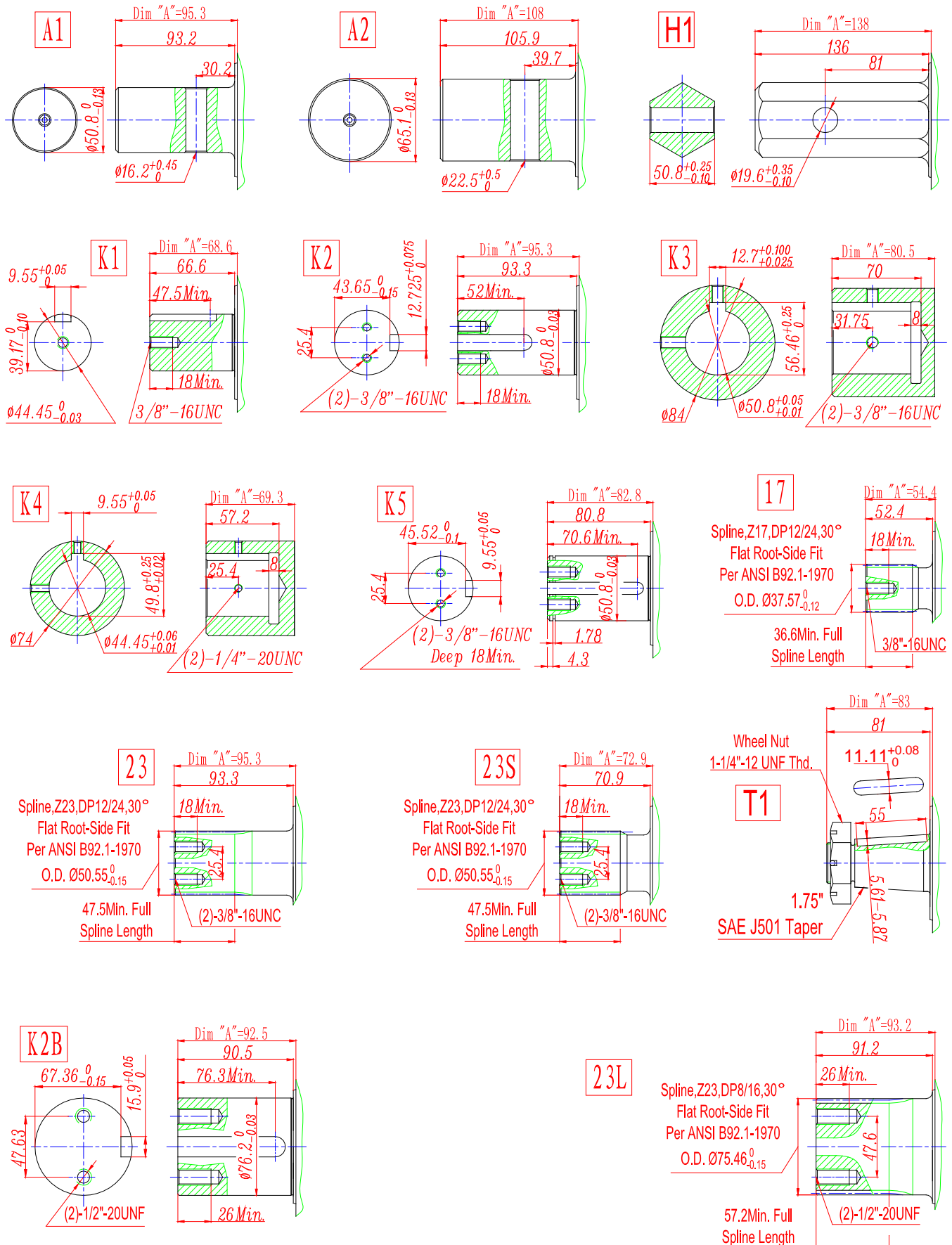
Style "R"



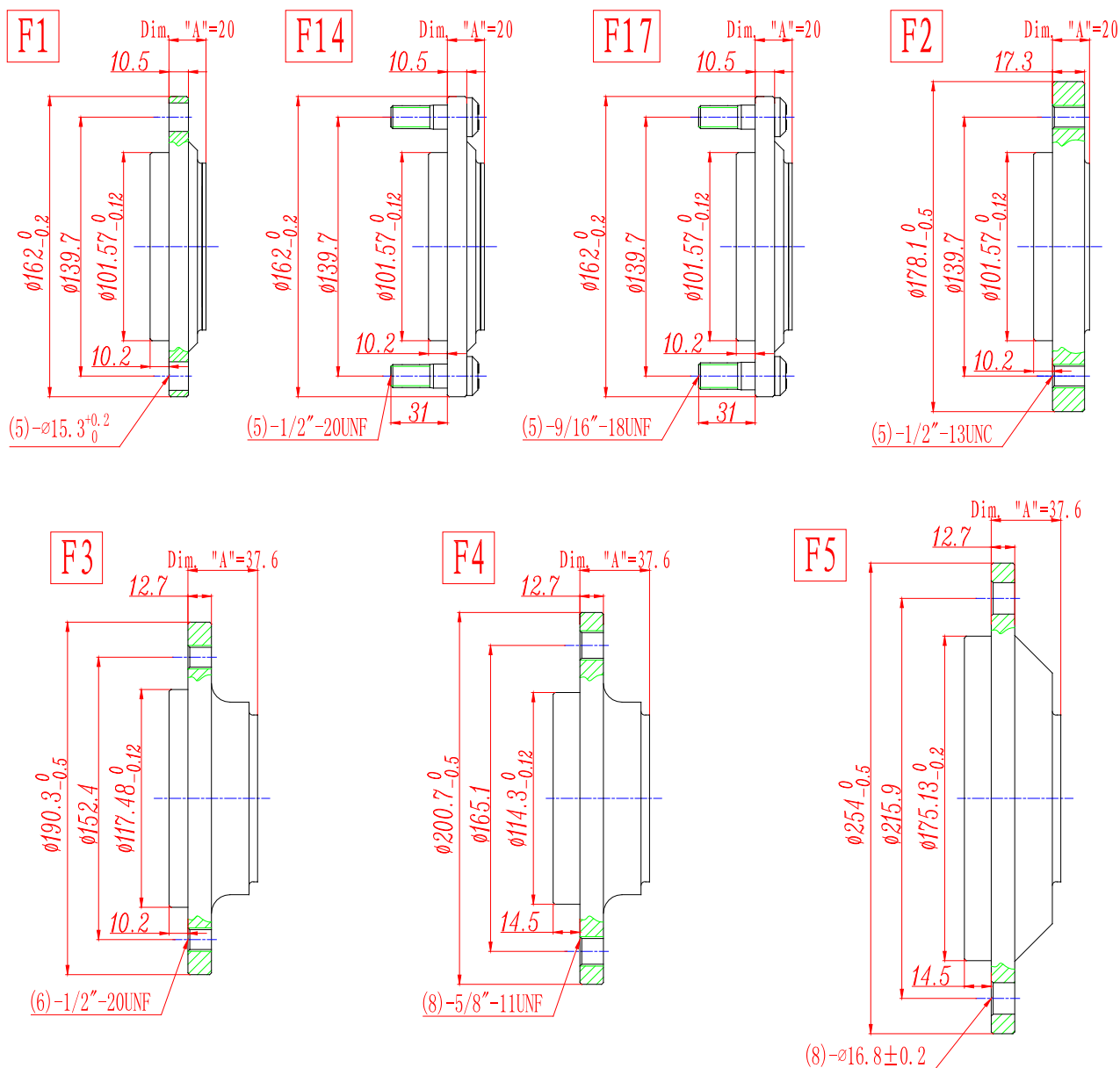
Maximum radial load on input shaft
 (Based on: output speed n₂=100 rpm, Life=3000 h)

Bearing load, life and speed relationships	
$h = 3000 \times (100/n_2) \times (R/R')^{(10/3)}$	
R	= Allowable resultant load for given location from mounting flange (see curve image)
R'	= Anticipated load at location from mounting flange
h	= Bearing Life (hour)
n ₂	= Anticipated output speed (rpm)

Model 6 Shaft output options



Model 6 Spindle output options



Model 6 Swing drives - Style "SW" - output options

