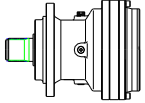
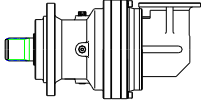


NB300 series gear motor

P₁=90KW **n₁=1400 min⁻¹**

| n₂ (min ⁻¹) | M₂ (N.m) | S | I 1: | P_t (KW) |  |  | IEC Motor type | Check Thermal Power Pt >= P1 | Dimension Page Number |
|--|-------------------------------|----------|-----------------------|------------------------------|--|---|----------------------|------------------------------------|-----------------------------|
| 14.6 | 53514 | 1.48 | 96 | 90.0 | -- | NB316R3 | 280M-4 | OK | PAGE 190 |
| 17.3 | 45091 | 1.71 | 81 | 90.0 | -- | NB316R3 | 280M-4 | OK | PAGE 190 |
| 20.7 | 37790 | 1.71 | 68 | 90.0 | -- | NB316R3 | 280M-4 | OK | PAGE 190 |
| 26.6 | 29447 | 1.14 | 53 | 90.0 | -- | NB316R3 | 280M-4 | OK | PAGE 190 |
| 73.5 | 10984 | 1.65 | 19.0 | 75.0 | -- | NB313R2 | 280M-4 | NO ! | PAGE 170 |
| 83.7 | 9656 | 1.65 | 16.7 | 75.0 | -- | NB313R2 | 280M-4 | NO ! | PAGE 170 |
| 120 | 6760 | 1.65 | 11.7 | 75.0 | -- | NB313R2 | 280M-4 | NO ! | PAGE 170 |