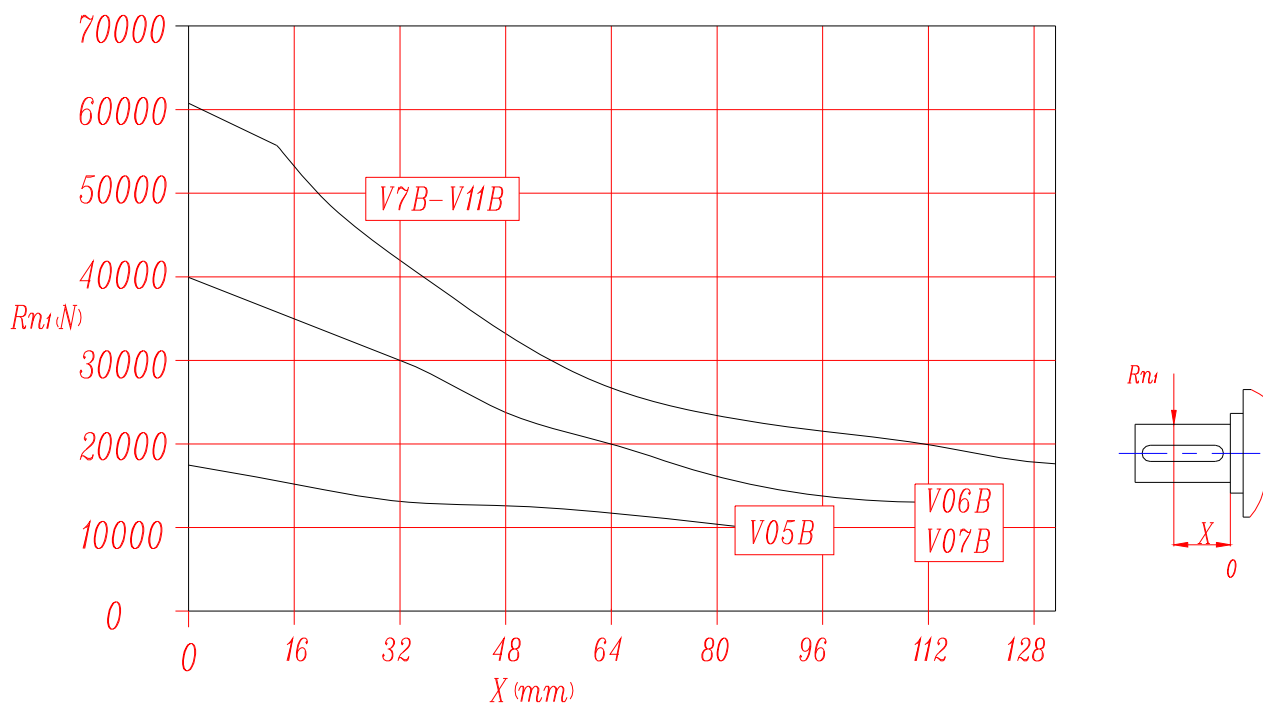


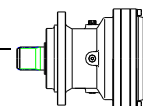
NB316 L - NB316 R

Load corrective factor fh2 on shafts	fh2= n2 • h		10 000	25 000	50 000	100 000	500 000	1 000 000
	fh2	FZ	1	0.74	0.58	0.46	0.27	0.21
		HZ-HC-PC-PZ	1	0.76	0.61	0.50	0.31	0.25

Permissible radial loads on input shaft with Fh1 (n1 • h=250 000)



Load corrective factor fh1 on shafts	Fh1= n1 • h	250 000	500 000	1 000 000	2 00 000	5 000 000	10 000 000
	fh1		1	0.79	0.63	0.50	0.37

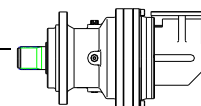


NB316L

M2'=110000N.m

	I 1:	Mn ₂ (N.m)						P ₁ (KW)	P _t (KW) (ta=20°C) (n ₁ =1500)	n ₁ (min ⁻¹)	n _{1max} (min ⁻¹)	M _b (N.m)	Brake type 制动器
		n _{2.h} 10000	n _{2.h} 25000	n _{2.h} 50000	n _{2.h} 100000	n _{2.h} 500000	n _{2.h} 1000000						
L1	4.4	135000	126000	113000	100000	66000	54000	280	68	350	500		
	5.3	130000	120000	110000	95000	60000	50000	280	68	350	500		
L2	18.0	135000	126000	113000	100000	66000	54000	180	50	750	1000		
	23.1	135000	126000	113000	100000	66000	54000	180	50	750	1000		
	27.6	130000	120000	110000	95000	60000	50000	180	50	750	1000		
	32.7	130000	120000	110000	95000	60000	50000	180	50	750	1000		
L3	61.7	135000	126000	113000	100000	66000	54000	100	30	1500	2500	3200	6L
	79.2	135000	126000	113000	100000	66000	54000	100	30	1500	2500	2600	6K
	102	135000	126000	113000	100000	66000	54000	100	30	1500	2500	2100	6G
	121	135000	126000	113000	100000	66000	54000	100	30	1500	2500	2100	6G
	144	135000	126000	113000	100000	66000	54000	90	30	1500	2500	1500	6E
	172	130000	120000	110000	95000	60000	50000	55	30	1500	2500	1100	6C
	204	130000	120000	110000	95000	60000	50000	50	30	1500	2500	1100	6C
L4	226	135000	126000	113000	100000	66000	54000	60	18	1750	3 500	800	5G
	290	135000	126000	113000	100000	66000	54000	60	18	1750	3 500	800	5G
	333	135000	126000	113000	100000	66000	54000	60	18	1750	3 500	630	5E
	396	135000	126000	113000	100000	66000	54000	51	18	1750	3 500	500	5C
	427	135000	126000	113000	100000	66000	54000	47	18	1750	3 500	500	5C
	508	135000	126000	113000	100000	66000	54000	40	18	1750	3 500	400	5B
	606	135000	126000	113000	100000	66000	54000	34	18	1750	3 500	400	5B
	676	135000	126000	113000	100000	66000	54000	30	18	1750	3 500	400	5B
	827	135000	126000	113000	100000	66000	54000	25	18	1750	3 500	400	5B
	981	135000	126000	113000	100000	66000	54000	22	18	1750	3 500	400	5B
	1171	130000	120000	110000	95000	60000	50000	18	18	1750	3 500	400	5B
	1390	130000	120000	110000	95000	60000	50000	15.5	18	1750	3 500	400	5B

M_{2max}=1.2×Mn2(n2×h=10 000)



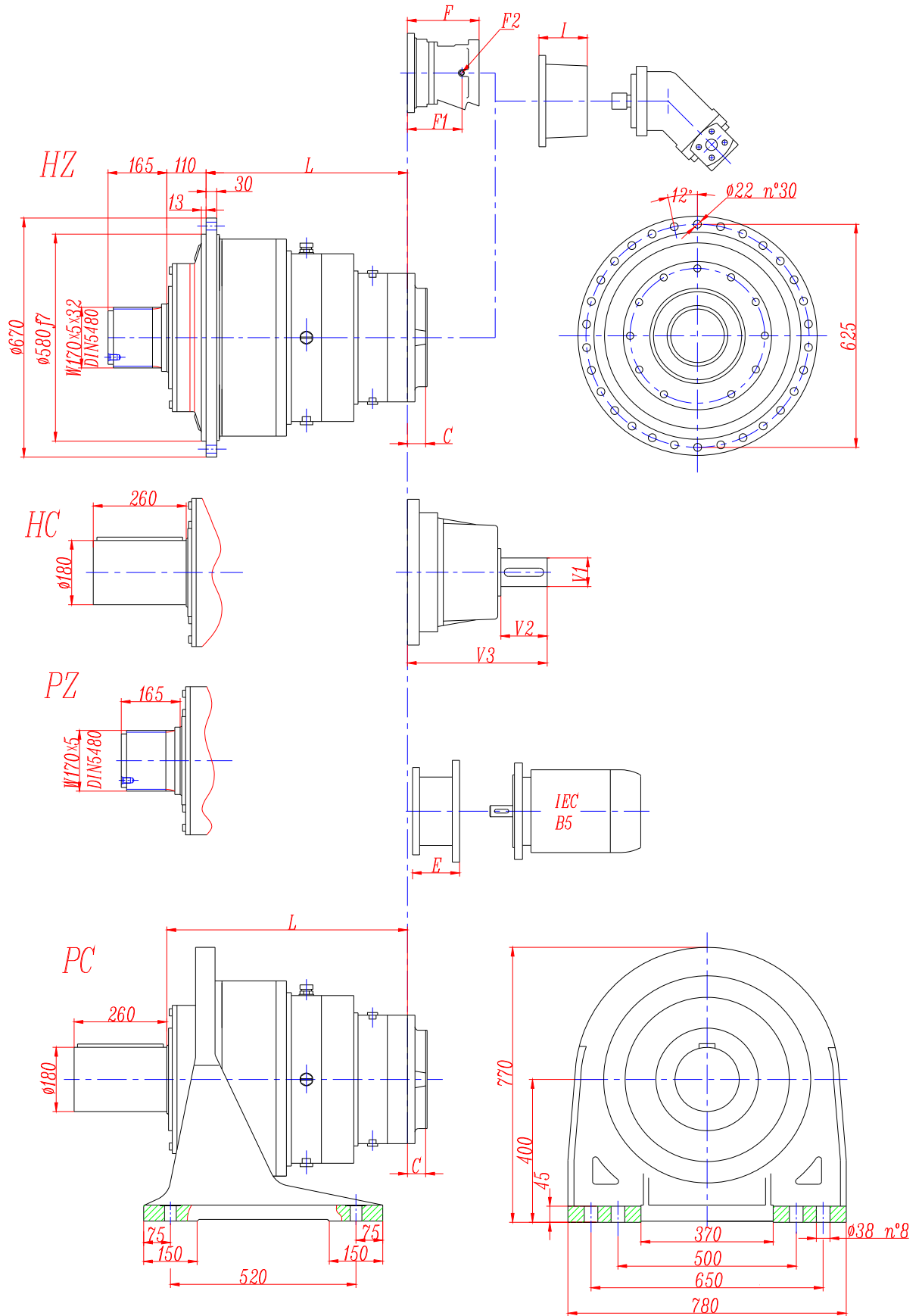
NB316R

M2'=110000N.m

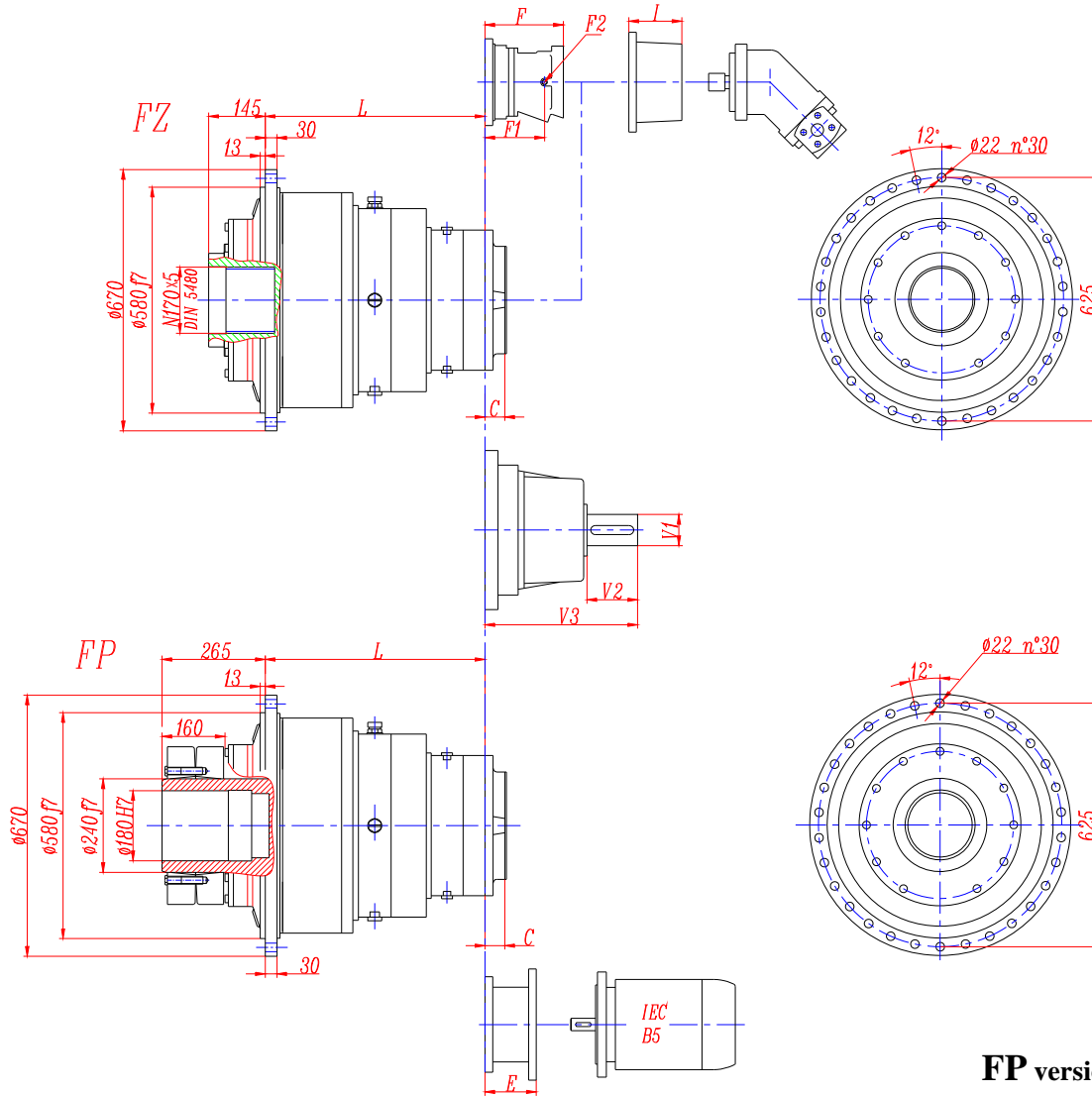
	I 1:	Mn ₂ (N.m)						P ₁ (KW)	P _t (KW) (ta=20°C) (n ₁ =1500)	n ₁ (min ⁻¹)	n _{1max} (min ⁻¹)	M _b (N.m)	Brake type 制动器
		n ₂ .h 10000	n ₂ .h 25000	n ₂ .h 50000	n ₂ .h 100000	n ₂ .h 500000	n ₂ .h 1000000						
R3	52.7	105000	79000	64000	52000	32200	26200	100	90	1500	2 500	3200	6L
	67.7	135000	12600	113000	100000	66000	54000	150	90	1500	2 500	2600	6K
	80.7	130000	12000	110000	95000	60000	50000	150	90	1500	2 500	2100	6G
	95.8	130000	12000	110000	95000	60000	50000	130	90	1500	2 500	2100	6G
R4	234	135000	12600	113000	100000	66000	54000	75	45	1750	3 500	800	5G
	300	135000	12600	113000	100000	66000	54000	60	45	1750	3 500	630	5E
	385	135000	12600	113000	100000	66000	54000	52	45	1750	3 500	500	5C
	459	135000	12600	113000	100000	66000	54000	45	45	1750	3 500	400	5B
	545	135000	12600	113000	100000	66000	54000	40	45	1750	3 500	400	5B
	650	130000	12000	110000	95000	60000	50000	33	45	1750	3 500	400	5B
	772	130000	12000	110000	95000	60000	50000	28	45	1750	3 500	400	5B

M_{2max}=1.2×Mn2(n2×h=10 000)

NB316 L



NB316 L



FP version

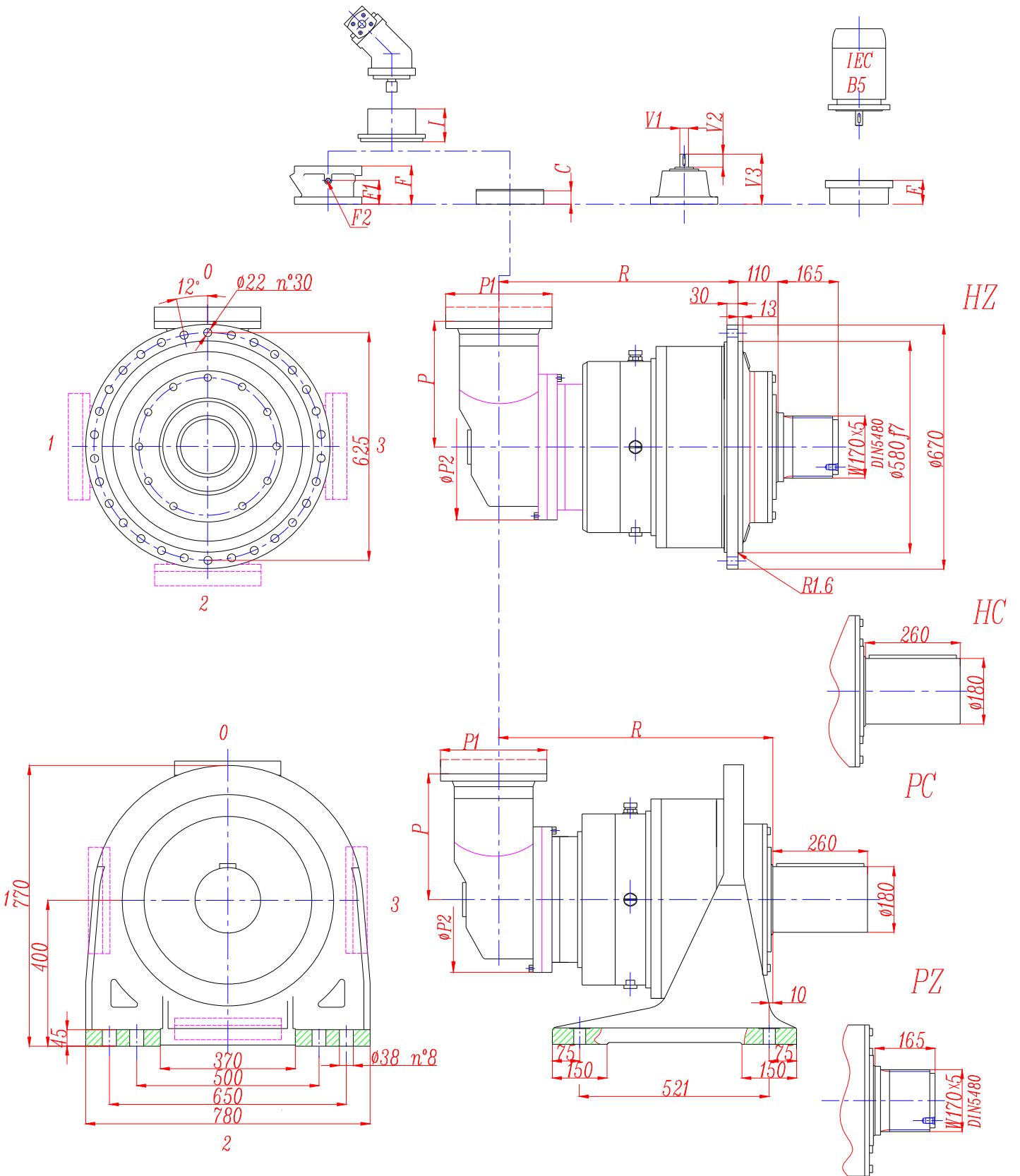
Max. transmissible

162000 N.m

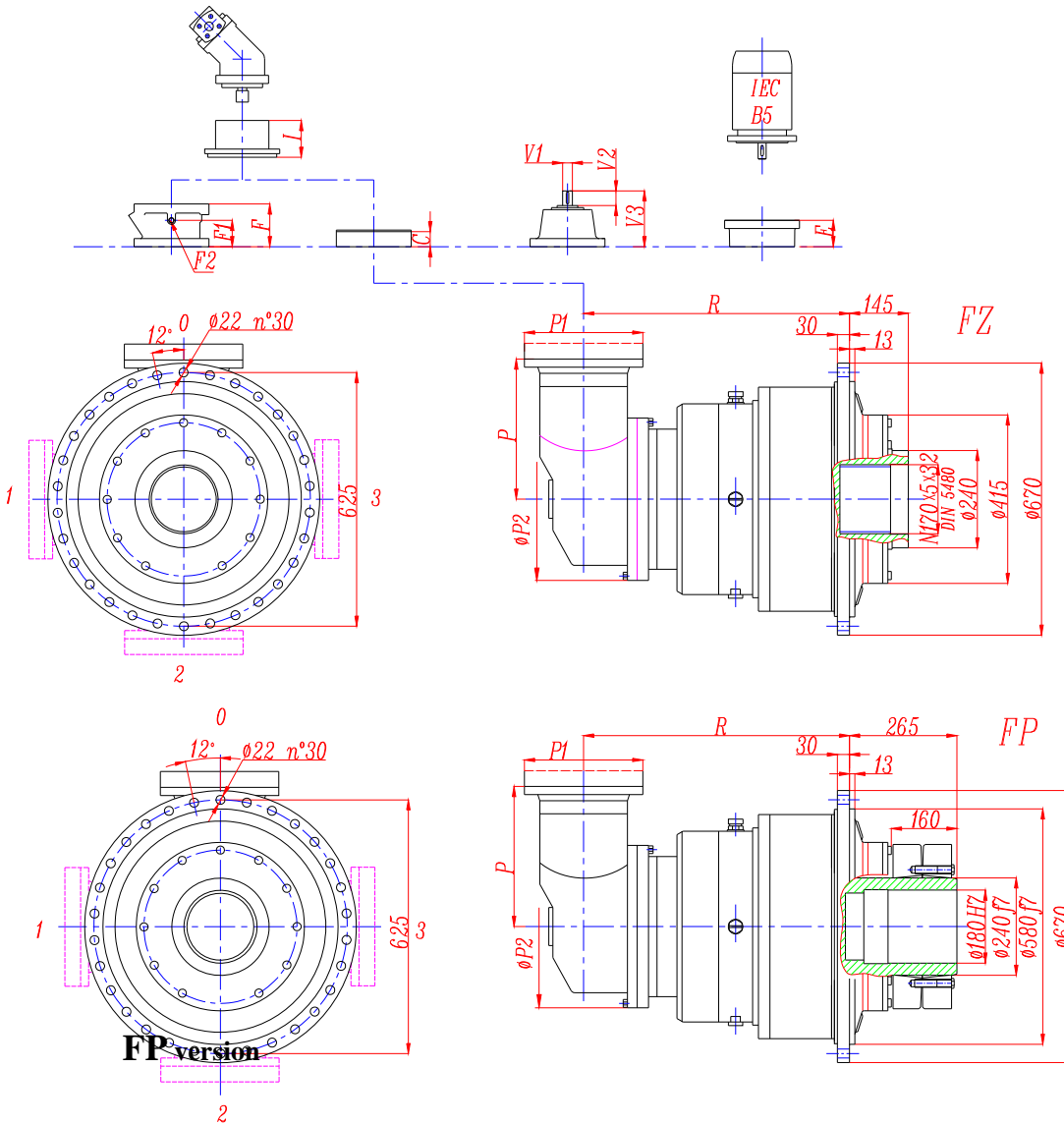
	L				Ref. weight (without input) (Kg)				C	I	Brake				
	HZ HC	PC PZ	FZ	FP	HZ HC	PC PZ	FZ	FP			F	F1	F2	Type	Ref. Weight
316 L1	179	289	179	179	500	700	430	450	156	According to hydraulic motor					
316 L2	431	541	431	431	590	790	520	540	81						
316 L3	564	674	564	564	640	840	590	460	51		201	153	1/4 G	6	38 Kg
316 L4	657	767	657	657	660	860	610	472	37		145	95	1/4 G	5	22 Kg

	E (IEC motor input)													
						IEC 132	IEC 160	IEC 180	IEC 200	IEC 225	IEC 250			
316 L1														
316 L2														
316 L3							159	159	169	198	198			
316 L4						120	153	153	153	186				

NB316 R



NB316 R

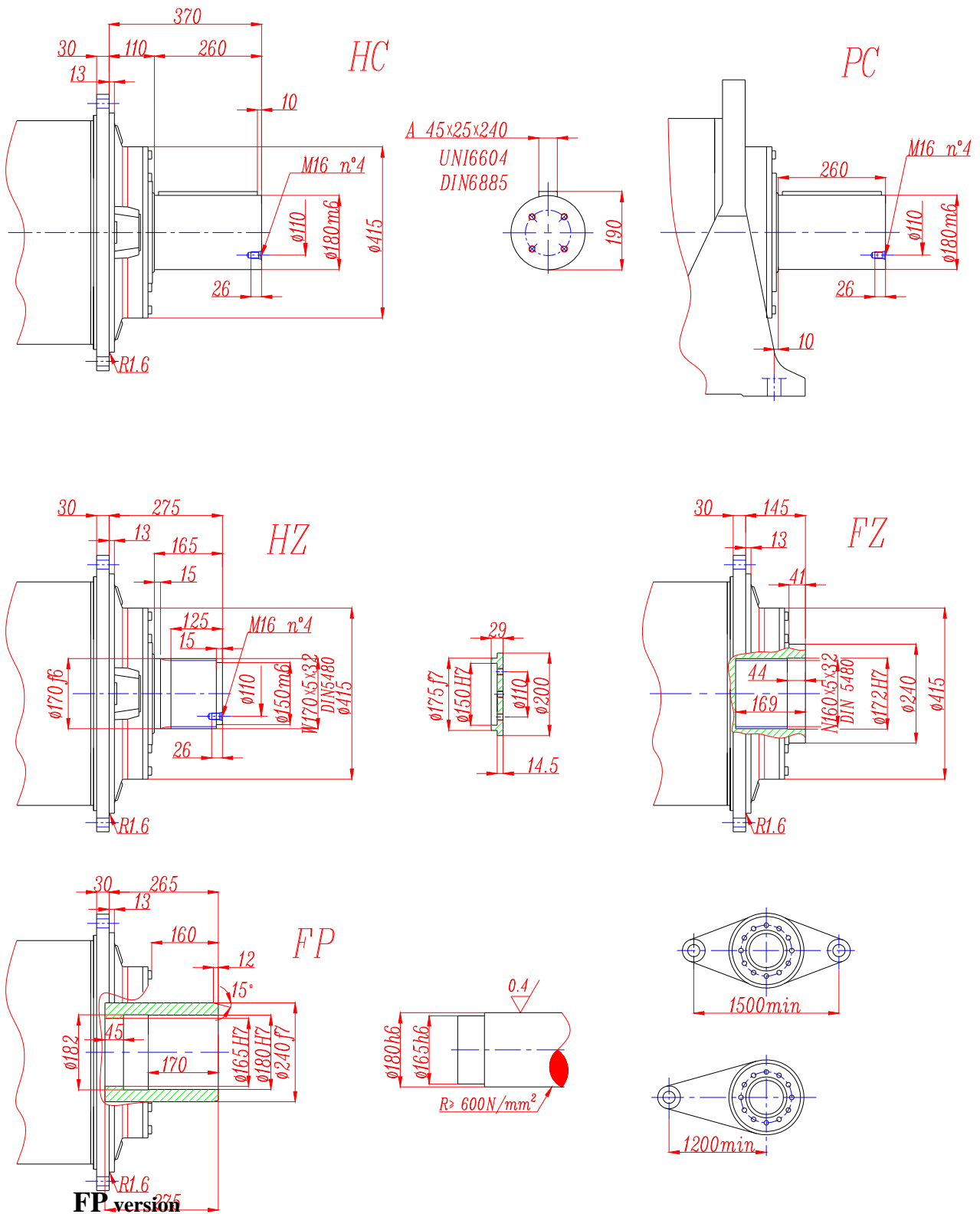


**Max. transmissible
162000 N.m**

	R				Ref. weight (without input) (Kg)				C	P	I	Brake				
	HZ HC	PC PZ	FZ	FP	HZ HC	PC PZ	FZ	FP				F	F1	F2	Type	Ref. Weight Kg
316 R3	656	766	656	656	720	920	650	670	45	480	According to hydraulic motor	196	115	1/4 G	6	75
316 R4	687	797	687	687	690	890	620	640	37	345		142	88	1/4 G	4	38

	P1	E (IEC motor input)															
		IEC 71	IEC 80	IEC 90	IEC 100	IEC 112	IEC 132	IEC 160	IEC 180	IEC 200	IEC 225	IEC 250					
316 R3	245											153	153	163	192	192	
316 R4	245										120	153	153	153	186		

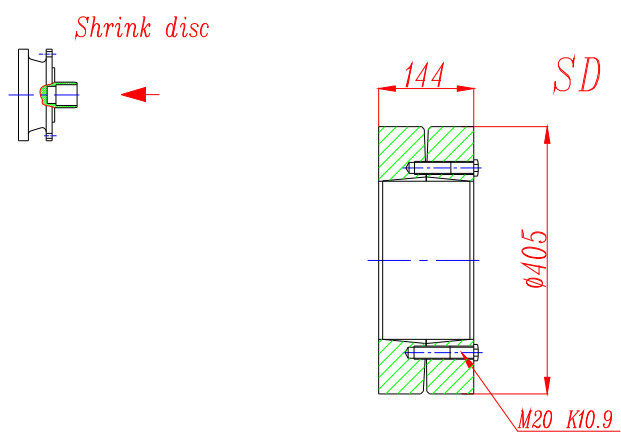
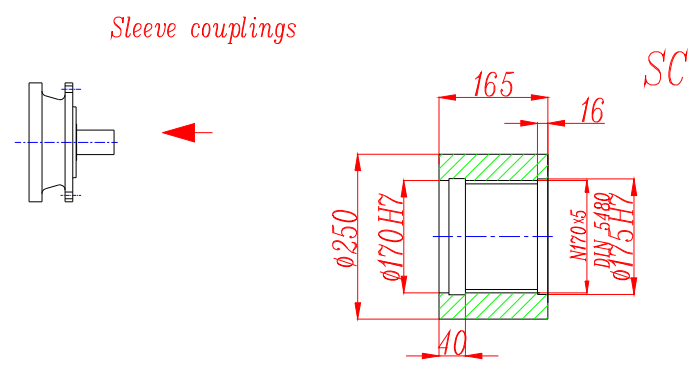
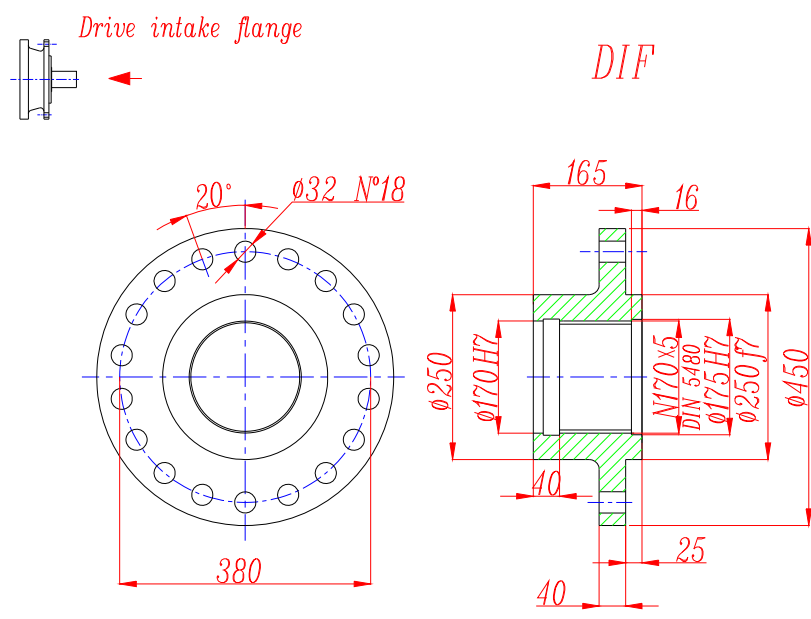
NB316 L - NB316 R



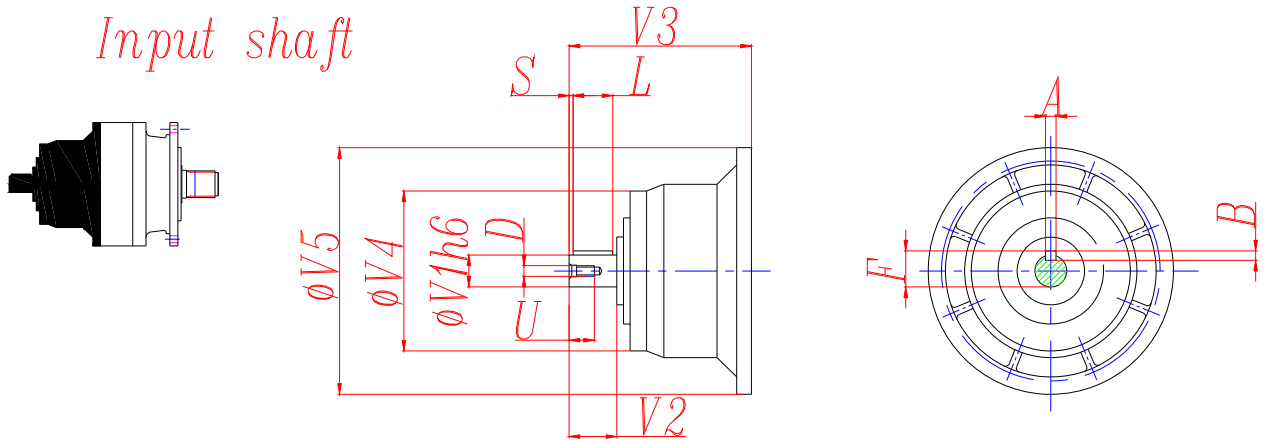
Max. transmissible

162000 N.m

NB316 L - NB316 R



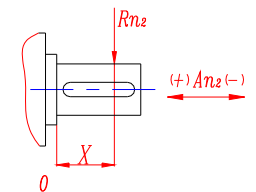
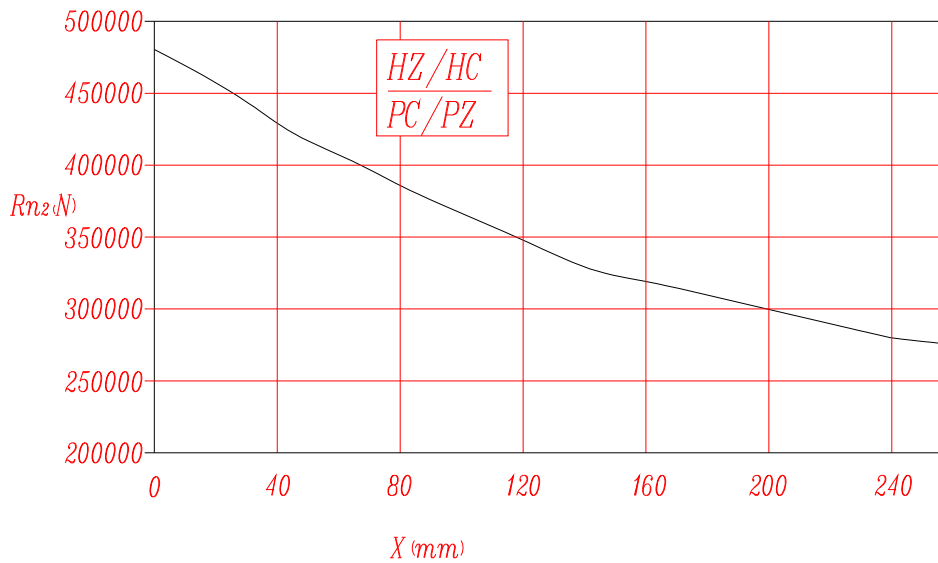
NB316 L - NB316 R



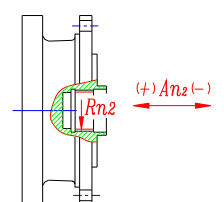
	CODE	V1	V2	V3	V4	V5	A	B	F	L	S	D	U
316 L2	V11B	80	130	348	200	428	22	14	85	110	10	M16	36
316 L3	V07B	80	130	316	200	345	22	14	85	110	105	M16	36
	V07A	60	105	316	155	345	18	11	64	90	7.5	M16	36
316 L4	V05B	48	82	239	155	245	14	9	51.5	70	6	M16	36
316 R3	V06B	60	105	307	155	292	18	11	64	90	7.5	M16	36
316 R4	V05B	48	82	239	155	245	14	9	51.5	70	6	M16	36

NB316 L - NB316 R

Permissible radial and axial loads on output shaft with Fh2 (n2 • h=10 000)



	An2 (+)	An2 (-)
HZ-HC-PC-PZ	360 000	300 000



	Rn2	An2 (+/-)
FZ	150 000	150 000